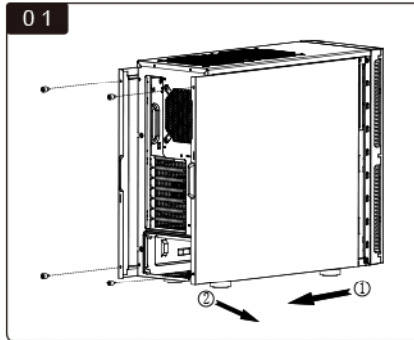


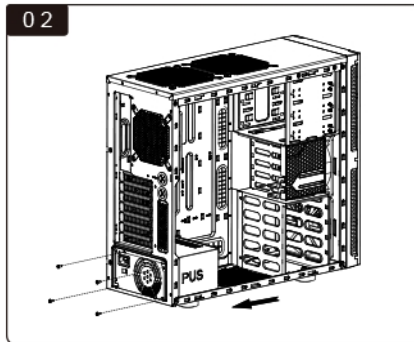
### Specification / 机箱参数

Type/类型	ATX Mid Tower Case	
Dimensions/尺寸	195 (W) x445 (H) x500 (D)mm	
Material/材料	SGCC	
Drive/驱动	5.25"	3
	3.5"	4
	2.5"	5
Mainboard/主板	ATX, Micro ATX, ITX	
Power/电源	PS2	
Front IO/面板	1xUSB3.0, 1xUSB2.0, 1xMIC, 1xSPK	
Fans/风扇	Front/前	2x120mm
	Rear/后	1x120mm
	Top/顶	2x120mm/140mm (optional/选配)
Slots/扩展槽	7	
Weight/重量	N. W. /净重:8.0kg, G. W. /毛重:9.1kg	

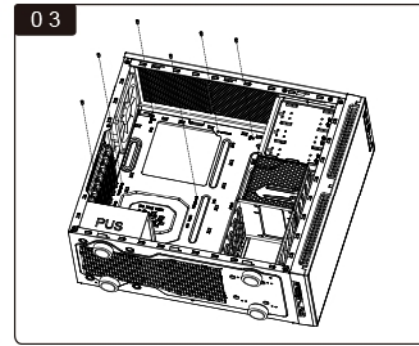
### Installation Procedure / 推荐安装步骤



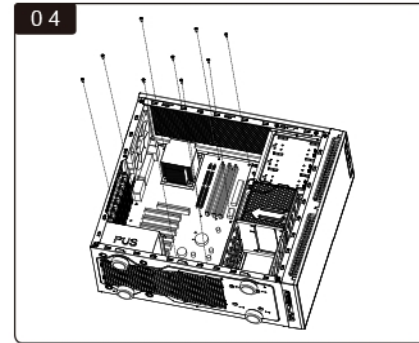
Unscrew 4 screws from rear plate, and then pull out.  
松开侧板的四颗螺丝，向后拉出。



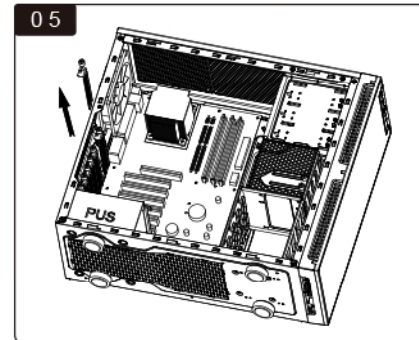
Install PSU, lock with the screws.  
装上电源，锁上螺丝。



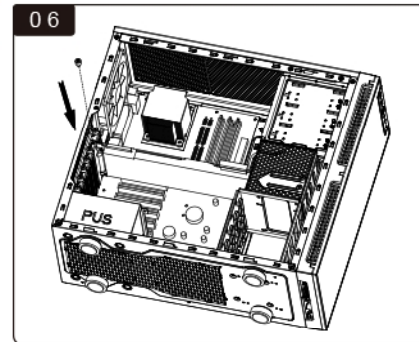
Install stand-offs by stand-off socket to the motherboard.  
利用铜柱螺母装上主板铜柱。



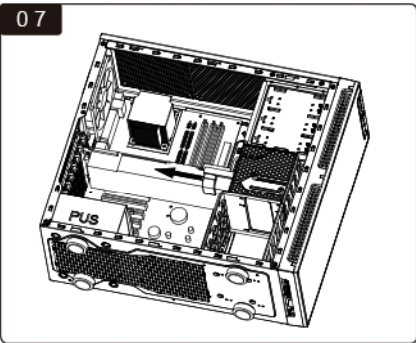
Install motherboard, lock with the screws.  
装上主板，锁上螺丝。



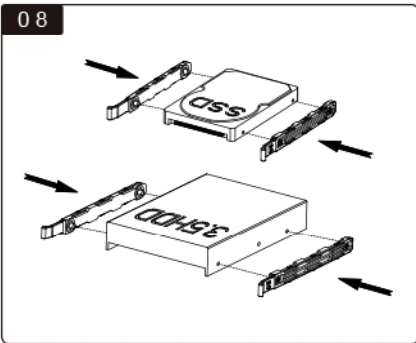
Take out PCI block plate.  
取出PCI挡片。



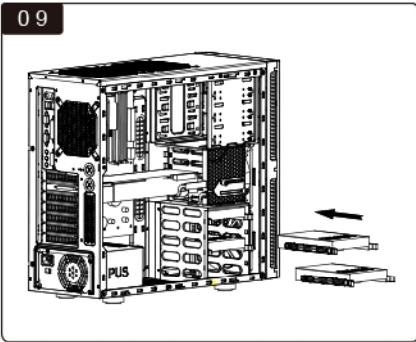
Install display card, lock with toolless screws.  
装上显卡，锁上手拧螺丝。



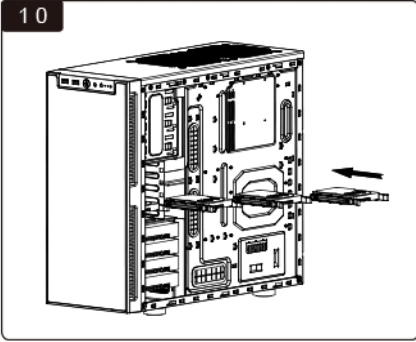
07  
Pull out display card protection bracket to support the display card. (Supporting 260-320mm display card)  
把显卡保护支架拉出以支撑显卡。(支持260-320mm长的显卡)



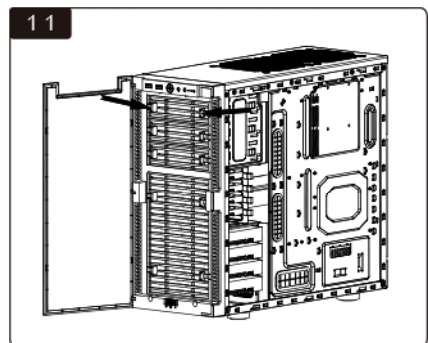
08  
Install 3.5" hard disk and SSD.  
装上3.5寸硬盘和SSD硬盘。



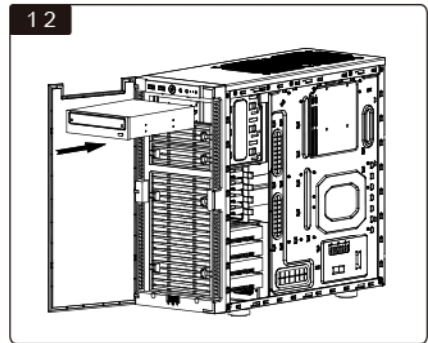
09  
Install 3.5" hard disk.  
装入3.5寸硬盘。



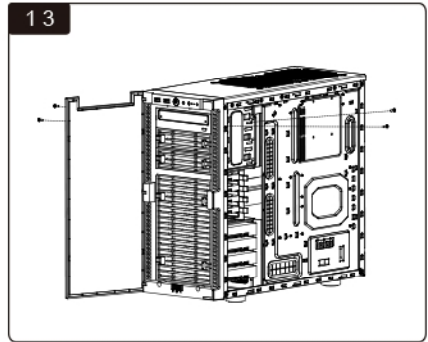
10  
Install SSD.  
装入SSD硬盘。



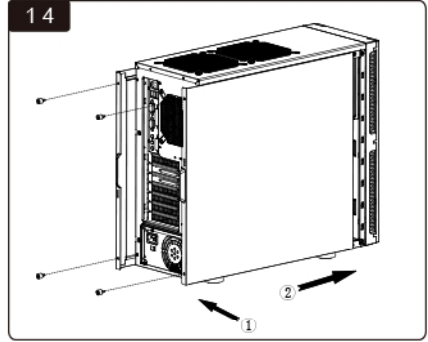
11  
Squeeze and take out the optical drive block plate.  
用手捏下光驱挡板。



12  
Install the optical drive.  
装入光驱。



13  
Lock the optical drive with screws.  
光驱装好后锁上螺丝。



14  
Install side plates, lock with toolless screws.  
装上侧板，锁上手拧螺丝。

### Attention / 注意事项

- \* Please refer to the procedure of this menu and install step by step.
- \* Please pay attention to the direction and order for installing hard disk, CD-Rom, CD-Rom bracket and hard disk bracket.
- \* If your motherboard only provides AC97 port, please pay attention not to plug HD Audio connector into it, otherwise it may damage your motherboard.
- \* 为了方便安装，请参考本说明书的推荐流程，按先后顺序进行安装。
- \* 安装硬盘、光驱、光驱架、硬盘架时需注意安装方向和安装顺序。
- \* 如果主板的音频接口是AC97接口，请勿插入HD AUDIO接头，否则会损毁主板。

### Accessory Box / 配件包说明

	Screw for ODD 光驱螺丝	12 PCS		Screw for MB 主板螺丝	9 PCS
	Screw for Fan 风扇螺丝	4 PCS		Screw for PSU 电源螺丝	4 PCS
	Stand-off for MB 主板铜柱	9 PCS		Speaker 蜂鸣器	1 PCS
	Stand-off Socket 铜柱螺母	1 PCS		Case Lock Kit 机箱锁扣	1 PCS
	Cable Tie 束线带	5 PCS		HDD Toolless Kit 硬盘扣	16 PCS

### Connection Guide / 连接说明

#### USB 2.0 Connection / 连接

USB+5V LP- LP+ GND NC

USB+5V LP- LP+ GND

#### USB 3.0 Connection / 连接

VBUS SSRX1- SSRX1+ GND SSTX1- SSTX1+ GND D1+ D1- NC

VBUS SSRX2- SSRX2+ GND SSTX2- SSTX2+ GND D2+ D2-

#### HD AUDIO Connection / 连接

AVG GND PRESENCE SENSE\_RETURN SENSE\_RETURN

PORT 1L PORT 1R PORT 2R PORT 2L

SENSE\_SEND

#### Power Switch 电源开关连接

POWER SW POWER SW

#### Power LED 电源灯连接

POWER LED+ POWER LED-

#### Reset Switch 复位开关连接

RESET SW RESET SW

#### H.D.D. LED 硬盘灯连接

H.D.D. LED+ H.D.D. LED-